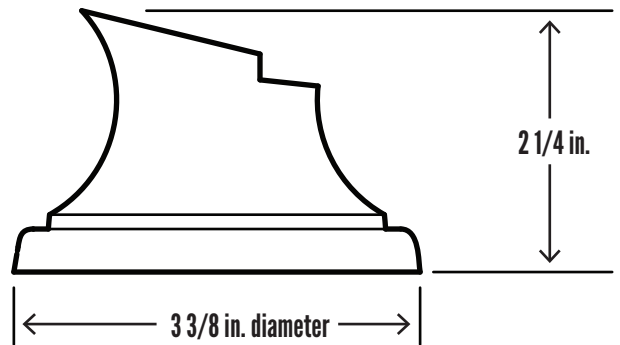
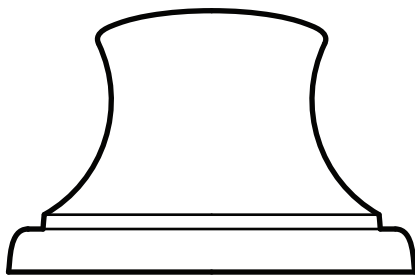
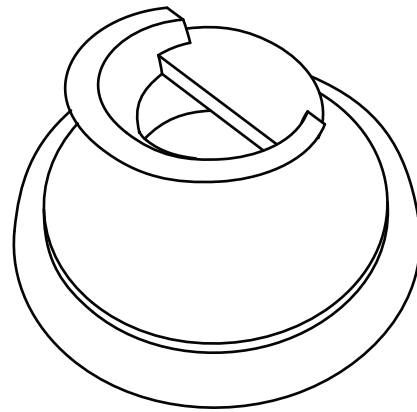
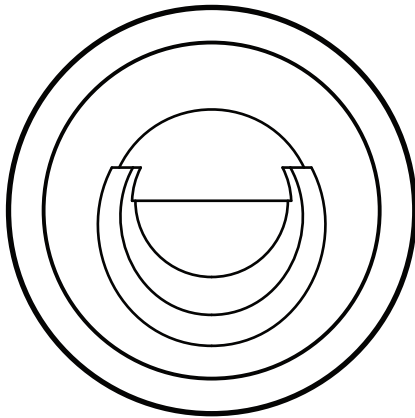




Neenah spout

dimensions



(2) Mounting holes with 1/4 - 20 thread provided at back of spout
Plumbing connection accommodates 1 in. NPT
No provisions for bonding